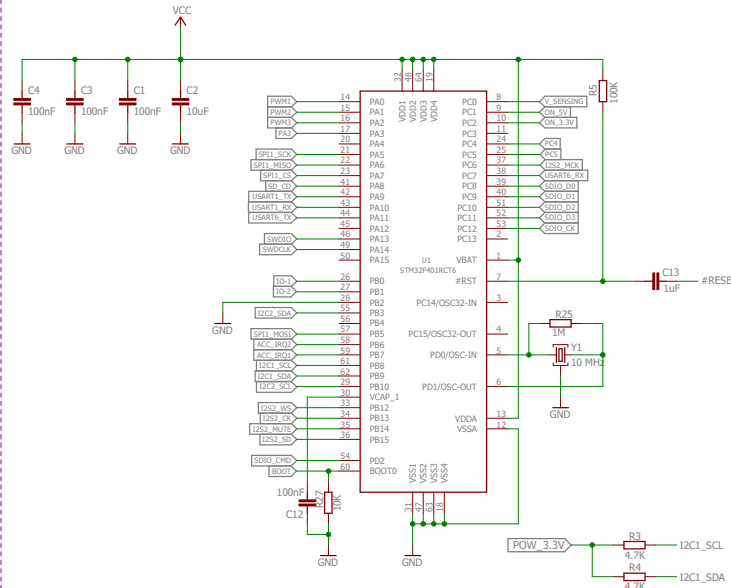
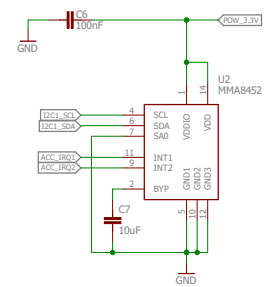


MCU ARM CORTEX M4



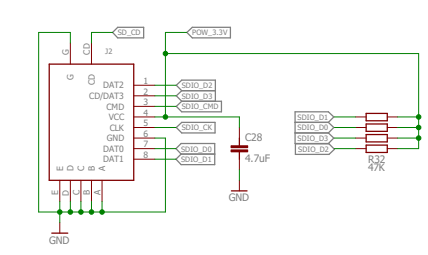
ACCELEROMETER



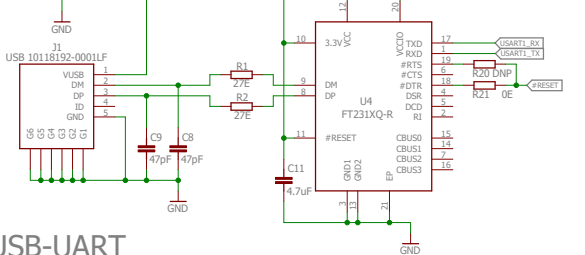
MECHANICAL



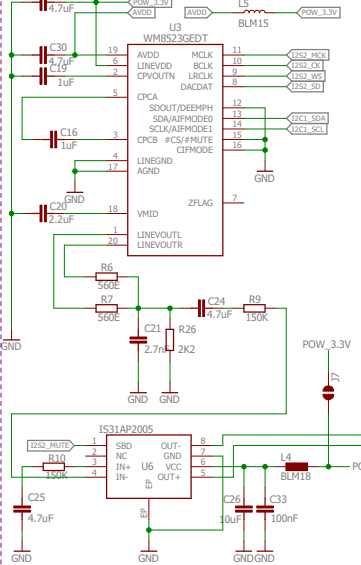
MICRO SD



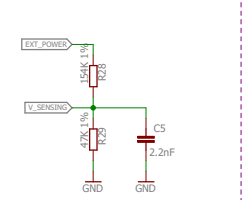
USB-UART



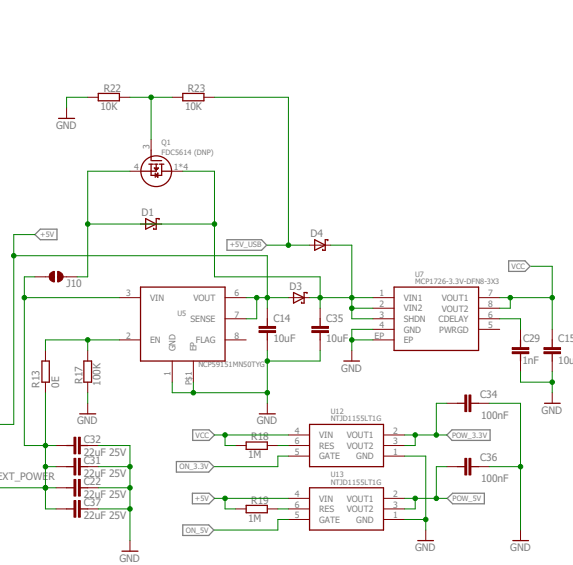
I2S AUDIO & AMPLIFIER



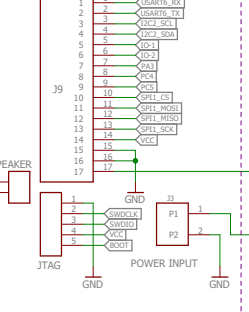
VOLTAGE SENSING



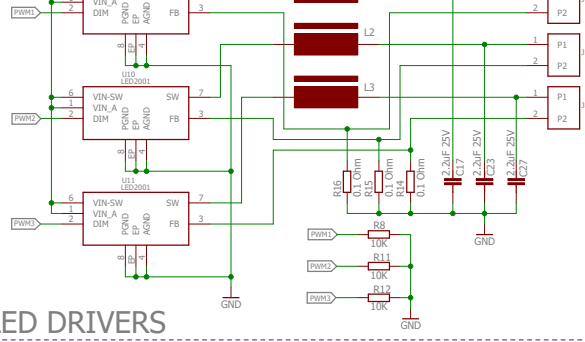
POWER



CONNECTORS



LED DRIVERS



Released under the Creative Commons Attribution Share-Alike 3.0 License
<http://creativecommons.org/licenses/by-sa/3.0>

This board was designed and produced in Italy

Design by	Ruben H. Meleca	ARTEKIT
Revision by	Ivan Meleca	PROPBOARD_V1.5
Design data	08/04/2016	Revision: 1.5
Release data	01/18/2017	Sheet: 1/1